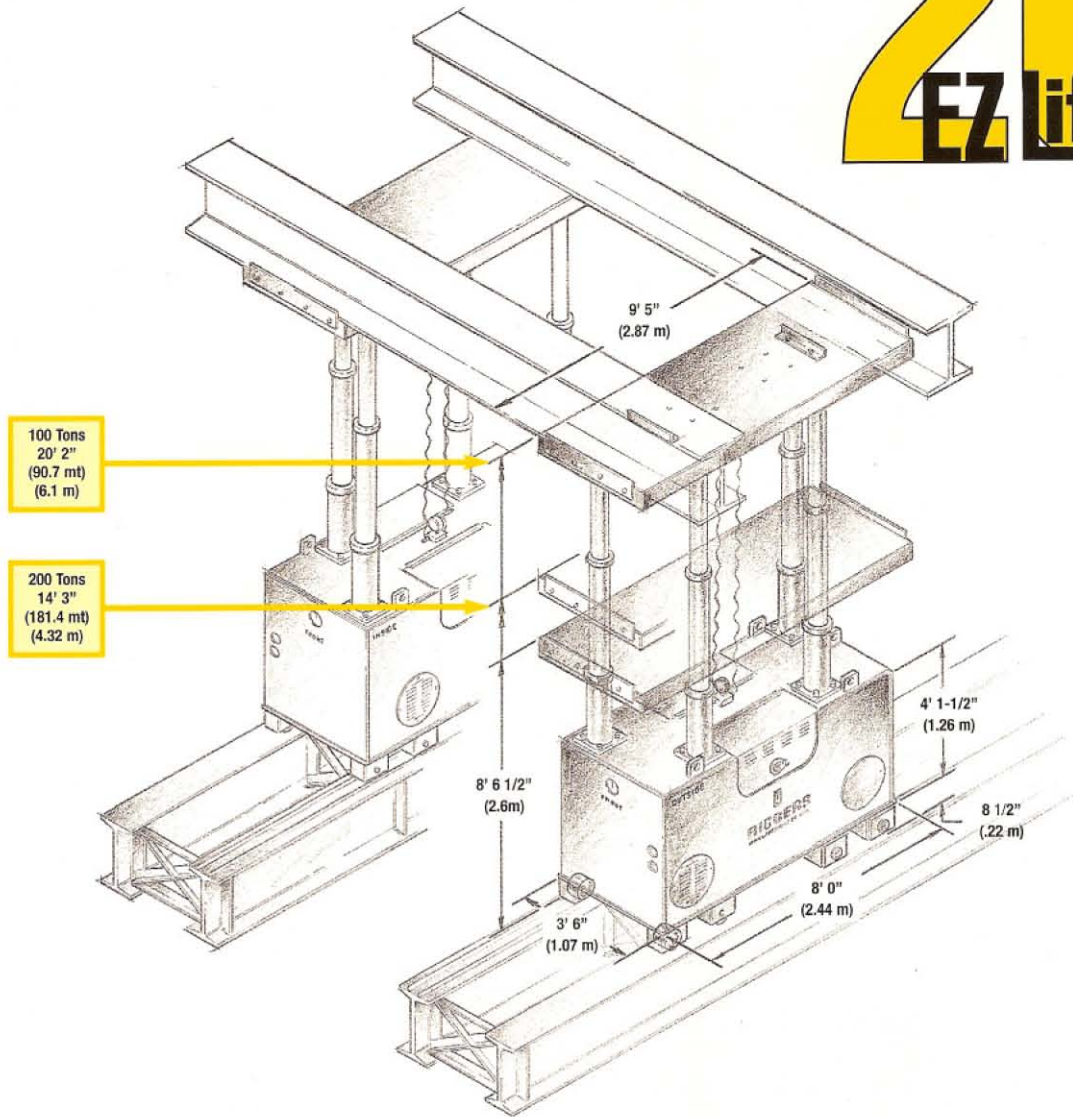


200 EZ Lifter™



Lift Capacity 200 Tons @ 14'2" (4.3 m) Extension
100 Tons @ 20' (6.0 m) Full Extension

Total Weight (Each Leg) 11,000 pounds (4990 kg)

Reservoir Capacity 170 Gals. (643 l)

Operating Voltage 440 VAC

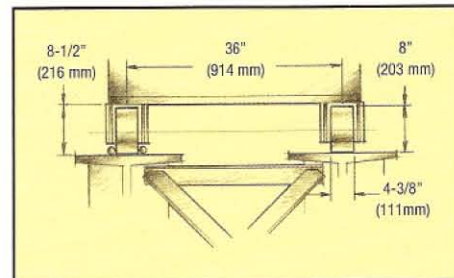
Current Draw One leg - 15 Amps

Two leg - 30 Amps

Circuit Rating 45 Amps

Horsepower 10

Cylinders 2 Stage Telescopic



Number of Wheels: 8

RIGGERS™

www.riggers.com
riggers@riggers.com